

Optical and Electrical Characteristics
(with SM 9/125µm Fiber)

	Min	Typ	Max	Units
CATV Receiver				
Operating Wavelength	1540	1550	1560	nm
Optical Input Power	-8.0		+4.5	dBm
Channel Loading			110	Ch.
Bandwidth	50		870	MHz
Flatness (peak-to-valley)			2	dB
RF Output Level		+38		dBmV
Output Return Loss		16		dB
Output Impedance		75		Ohms
Backreflection Coefficient			-50	dB
Composite Second Order (CSO)		-63		dBc
Composite Triple Beat (CTB)		-66		dBc

	Min	Typ	Max	Units
Power Meter				
Operating Wavelength	1270	1310	1370	nm
Operating Wavelength	1480	1490	1500	nm
Operating Wavelength	1540	1550	1560	nm
Optical Crosstalk			-30	dB
Power Reading Range	-25		+5	dBm

Environmental Characteristics

	Min	Typ	Max	Units
Operating Temp. Range	0		+55	°C
Storage Temp. Range	0		+55	°C
Humidity	5		95	%

Electrical and Environmental Characteristics

	Min	Typ	Max	Units
Power Supply Voltage	+10	+12	+15	V _{DC}
Power Dissipation		10		Watts
Battery Life		4		Hours

Physical Characteristics

	Min	Typ	Max	Units
Weight		40		oz.
		1,100		g
Dimensions	8.45 x 2.95 x 2.23			in
	215 x 75 x 56.6			mm

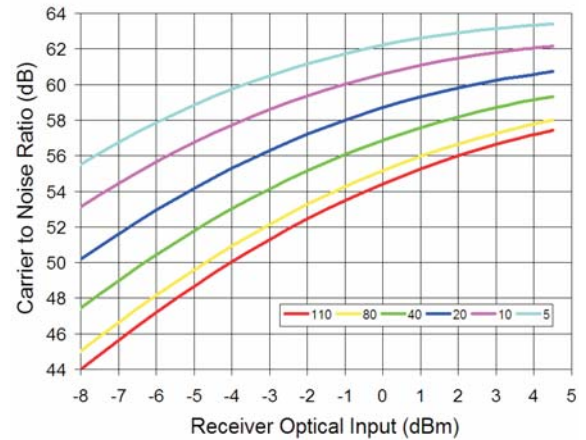


Figure 1 - Typical CNR with Six Different Channel Loadings

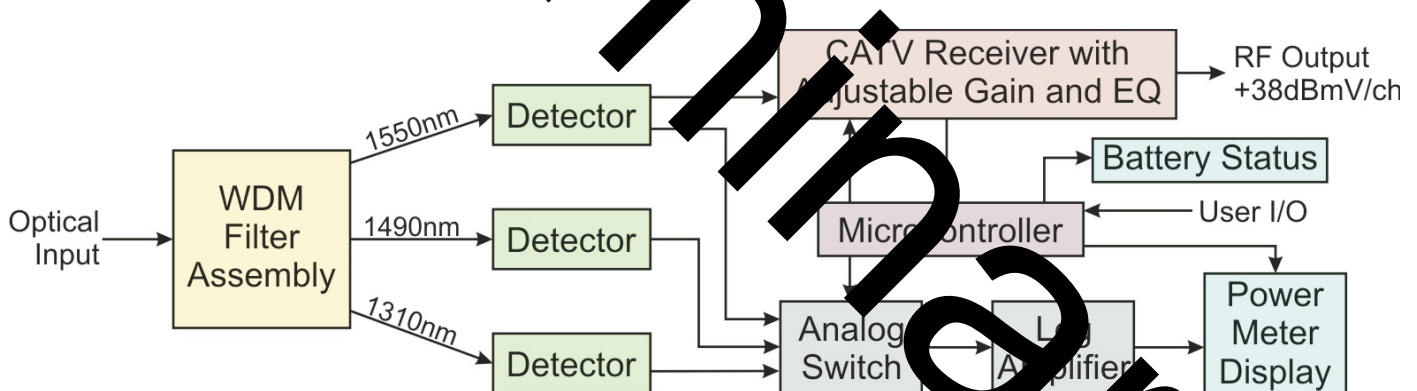


Figure 2 - OTPN-3000 Functional Block Diagram

OTPN-3000 Part Numbers

Configuration	Precision Optical Node
SC/APC Connectors	OTPN-3000-SA
FC/APC Connectors	OTPN-3000-FA

Note: All OTPN-3000 nodes ship with the mating 110V_{AC} power supply, Model OTPS-12A-4W